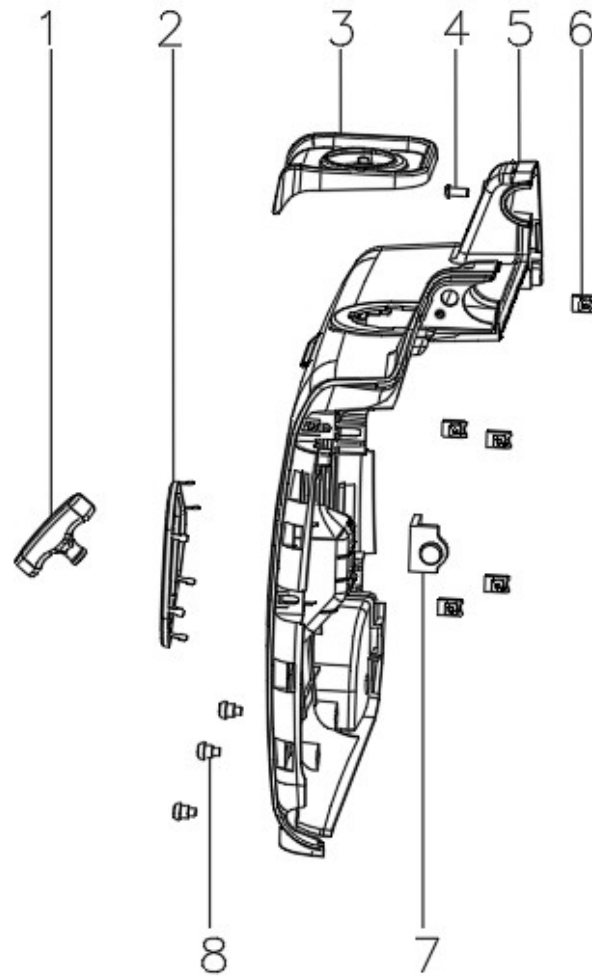


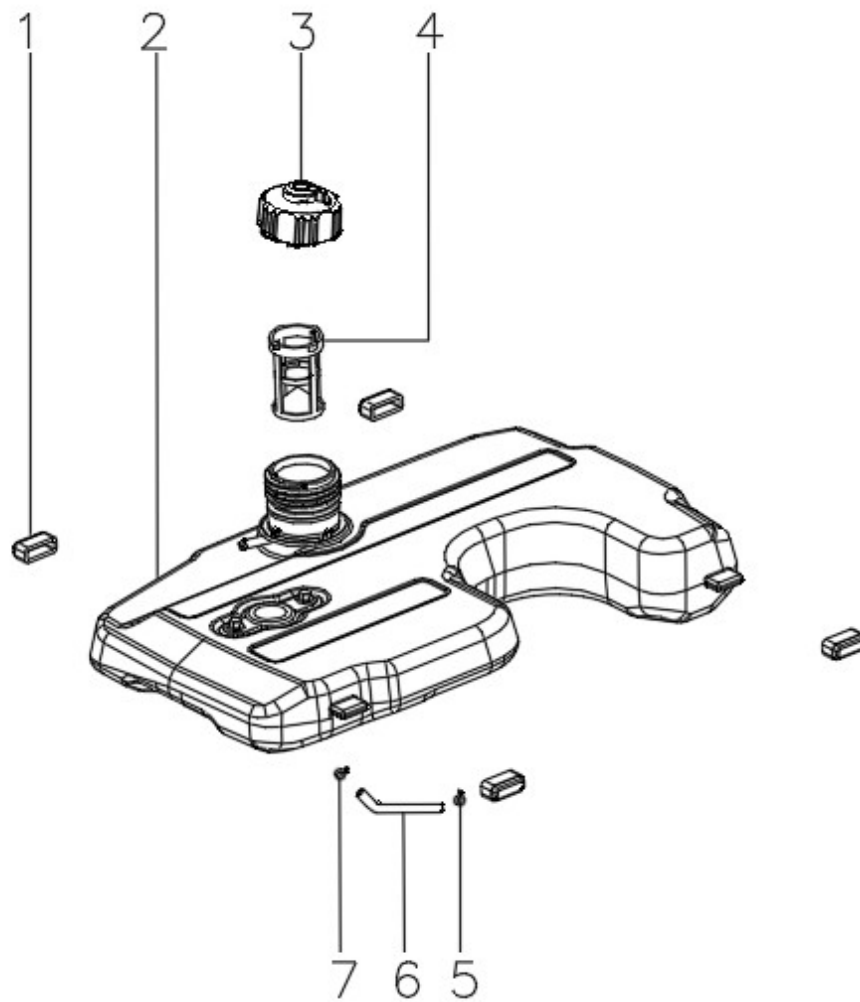
1 left casing



NO.	Part NO.	Description	QTY		
		English	Price (USD)	QTY	Demand Qty
1	20184-00047-00	Handle assembly		1	

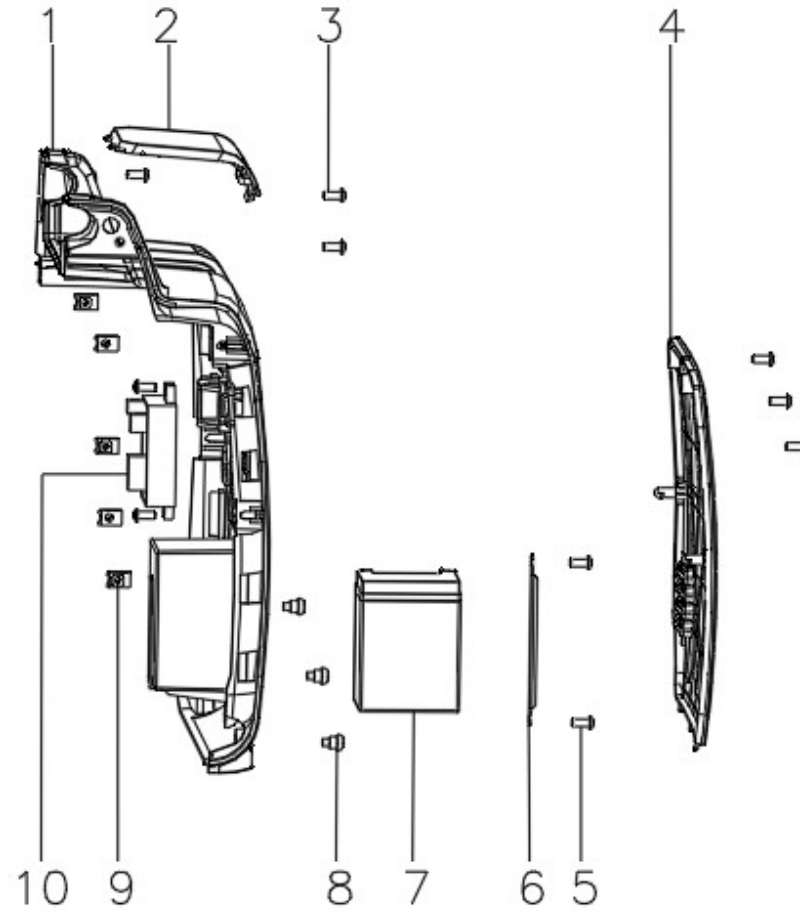
2	33708-00061-00	Cable handle decorative cover		1	
3	33015-00304-00	Oil spill rubber sleeve		1	
4	30111-00088-00	Cross recessed pan head screw/M5/14		1	
5	33013-01326-02	Left housing assembly		1	
6	34024-00105-00	Clip nut/M5		5	
7	33275-00111-00	Anti-collision pad		1	
8	30114-00033-00	Hexagon socket pan head bolt/M6		3	

2 Fuel tank



NO.	Part NO.	Description		QTY	
		English	Price (USD)	QTY	Demand Qty
1	33015-00023-00	Fuel tank ear rubber sleeve		4	
2	20130-00746-00	Fuel tank assembly		1	
3	20131-00075-00	Fuel tank cap		1	
4	34037-00001-00	Filter		1	
5	34024-00031-00	Clamp/B10.5		1	
6	34023-00474-00	Fuel pipe		1	
7	34023-00003-00	Clamp/B12		1	

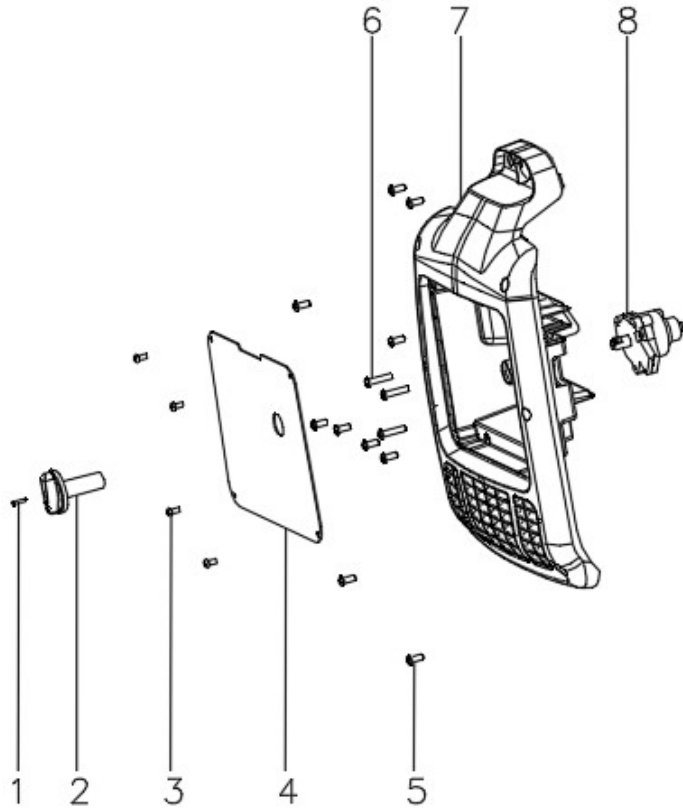
3 Right valve



NO.	Part NO.	Description		QTY	
		English	Price (USD)	QTY	Demand Qty
1	33013-01327-02	Right housing assembly		1	
2	33013-01329-02	Spark plug repair cover assembly		1	
3	30111-00088-00	Cross recessed pan head screw/M5/14		8	
4	33013-01328-02	Oil maintenance cover assembly		4	

5	30116-00016-00	Cross recessed countersunk screw/M6/12		2	
6	20014-01060-00	Battery pack pressing		1	
7	31002-00175-00	Battery		1	
8	30114-00033-00	Hexagon socket pan head bolt/M6		3	
9	34024-00105-00	Clip nut/M5		5	
10	20115-00191-02	One-button start remote control module		1	

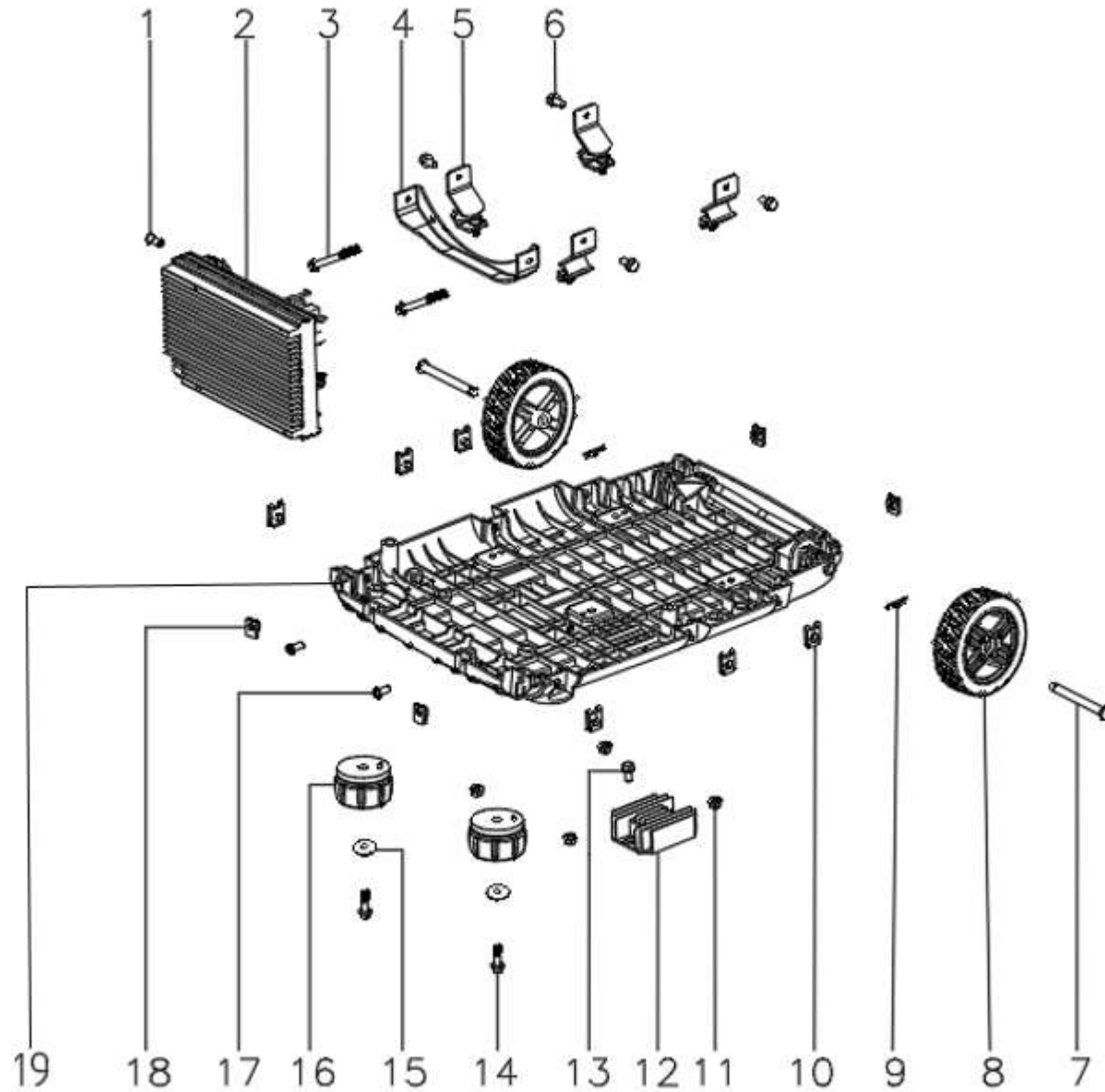
4 Intake plate



NO.	Part NO.	Description		QTY	
		English	Price (USD)	QTY	Demand Qty
1	30111-00070-00	Cross recessed pan head		1	

		screw/M4/12			
2	31026-00303-00	Oil switch knob		1	
3	30111-00008-00	Cross recessed pan head screw/M5/10		4	
4	20114-08167-00	Control panel assembly		1	
5	30111-00088-00	Cross recessed pan head screw/M5/14		10	
6	30111-00085-00	Cross recessed pan head screw/M5/25		3	
7	33013-01287-00	Air intake cover		1	
8	31026-00242-00	Switch/2 in 1 switch		1	

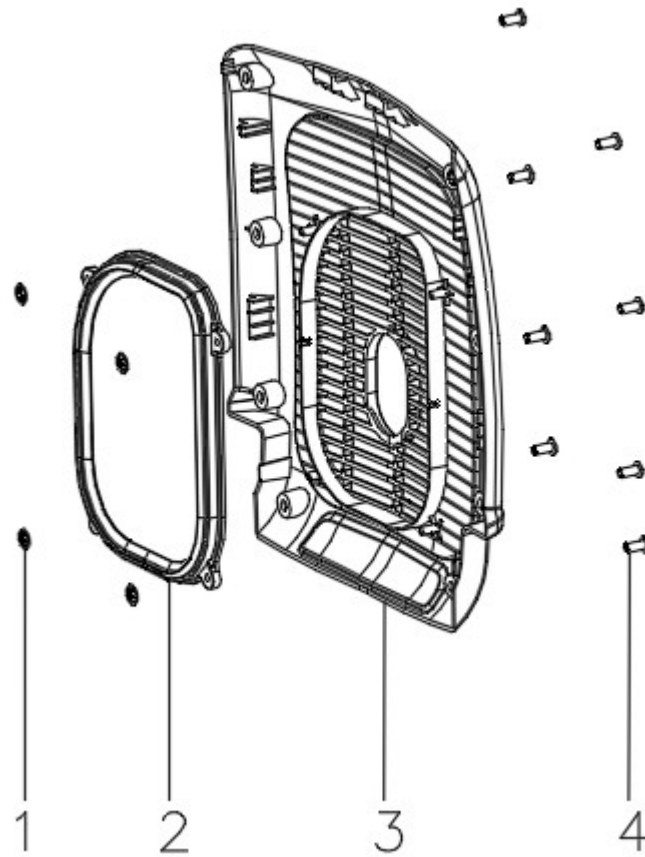
5 Baseboard



NO.	Part NO.	Description		QTY	
		English	Price (USD)	QTY	Demand Qty
1	30111-00008-00	Cross recessed pan head screw/M5/10		1	

2	20136-00584-00	Inverter components		1	
3	30101-00349-00	Hexagon flange bolt/M6/40		2	
4	33004-01223-00	Shock-absorbing mounting bracket		1	
5	34030-00026-00	Vibration mount		4	
6	30101-00342-00	Hexagon flange bolt/M6/16		4	
7	34031-00048-00	axle		2	
8	20134-00184-00	Wheel parts		2	
9	34006-00016-00	Dowel pin lock clip		2	
10	34024-00085-00	Clip nut/M6		6	
11	30125-00002-00	Hexagonal flange nut/M6		4	
12	31023-00032-00	DC Regulator		1	
13	30101-00400-00	Hexagon flange bolt/M6/14		1	
14	30101-00042-00	Hexagon flange bolt/M6/20		2	
15	30136-00113-00	Flat washers		2	
16	34030-00097-00	Vibration damping pads		2	
17	30111-00088-00	Cross recessed pan head screw/M5/14		2	
18	34024-00105-00	Clip nut/M5		4	
19	33089-00994-00	Power base			

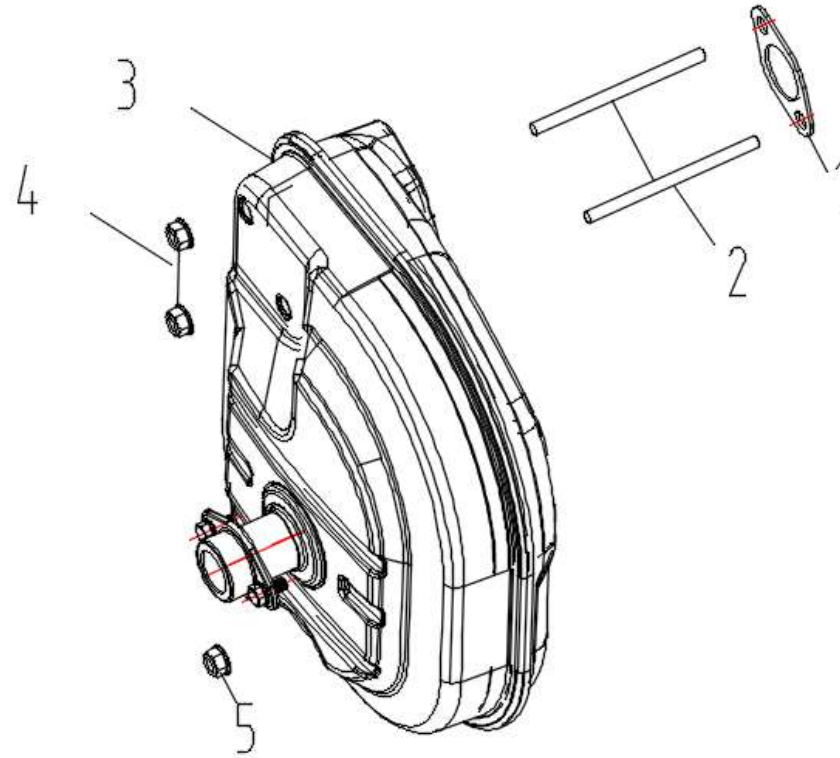
6 Outlet plate



NO.	Part NO.	Description		QTY	
		English	Price (USD)	QTY	Demand Qty
1	30150-00026-00	Elastic collar		4	
2	33015-00205-00	Air outlet rubber sleeve		1	
3	33013-01289-00	Air outlet cover		1	
4	30111-00088-00	Cross recessed pan head screw/M5/14		8	

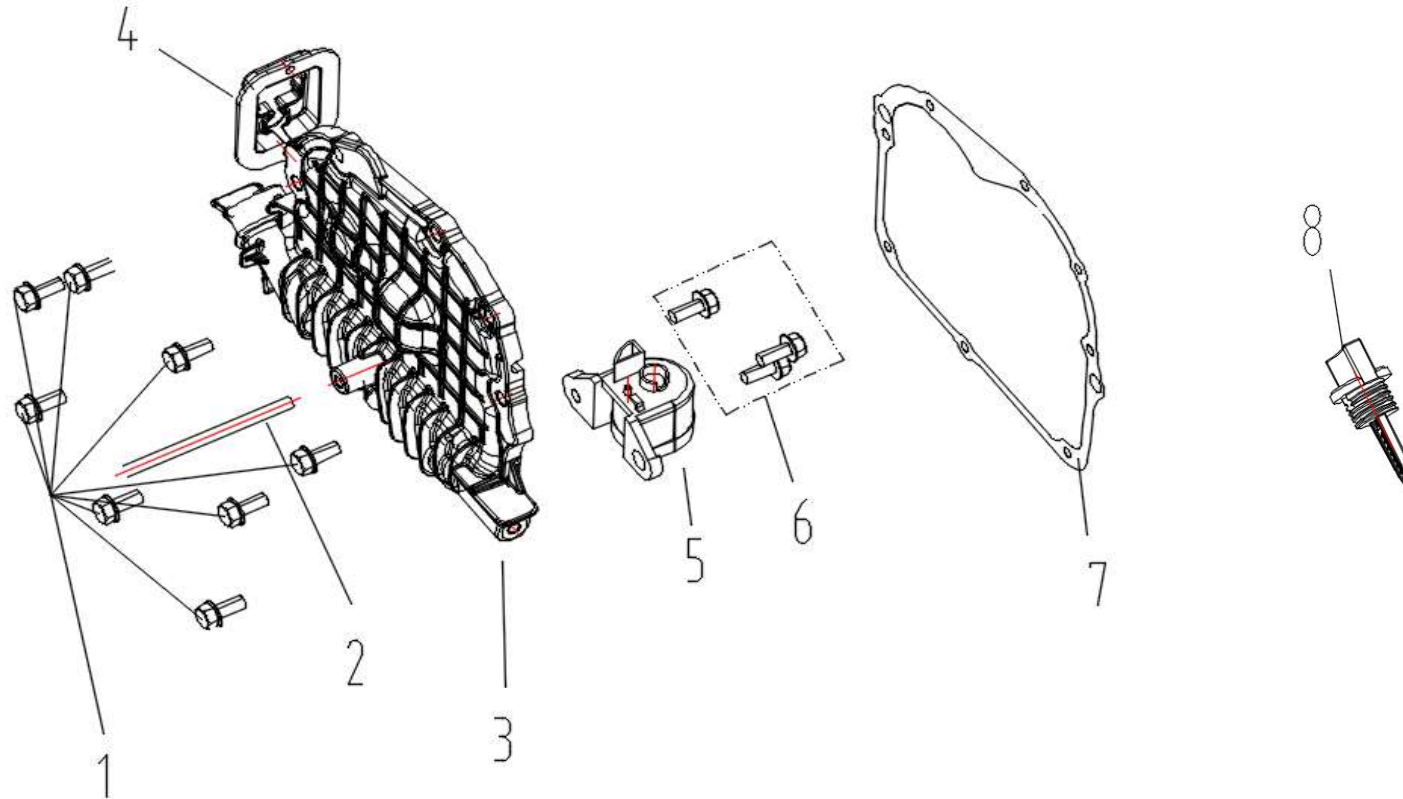
7 Engine

7-1. Silencer



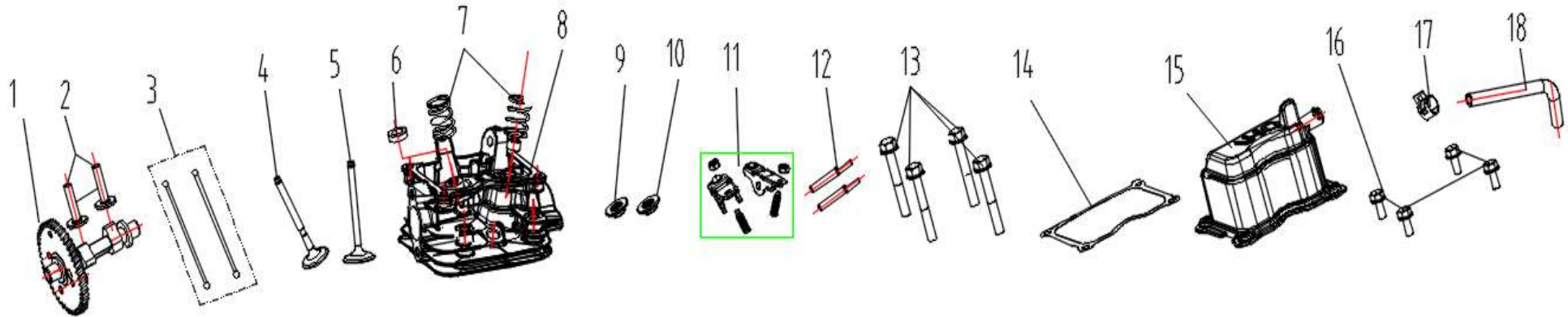
NO.	Part NO.	Description			QTY
		English	Price (USD)	QTY	Demand Qty
1	33048-00583-00	Muffler gasket		1	
2	30110-00129-00	Exhaust studs		2	
3	20202-01044-00	Muffler parts		1	
4	30125-00023-00	Hexagonal Flange Nut		2	
5	30125-00002-00	Hexagonal Flange Nut		1	

7-2. Crankcase cover assemblyr



NO.	Part NO.	Description			QTY	
		English	Price (USD)	QTY	Demand Qty	
1	30101-00408-00	Hexagon flange bolts		8		
2	30110-00188-00	Exhaust studs		1		
3	33129-00094-00	Crankcase cover		1		
4	33275-00102-00	Rubber pad		1		
5	33247-00032-01	Oil sensor		1		
6	30101-00400-00	Hexagon flange bolts		3		
7	33048-00491-00	Crankcase cover gasket		1		
8	20026-00001-00	Oil dipstick assembly		1		

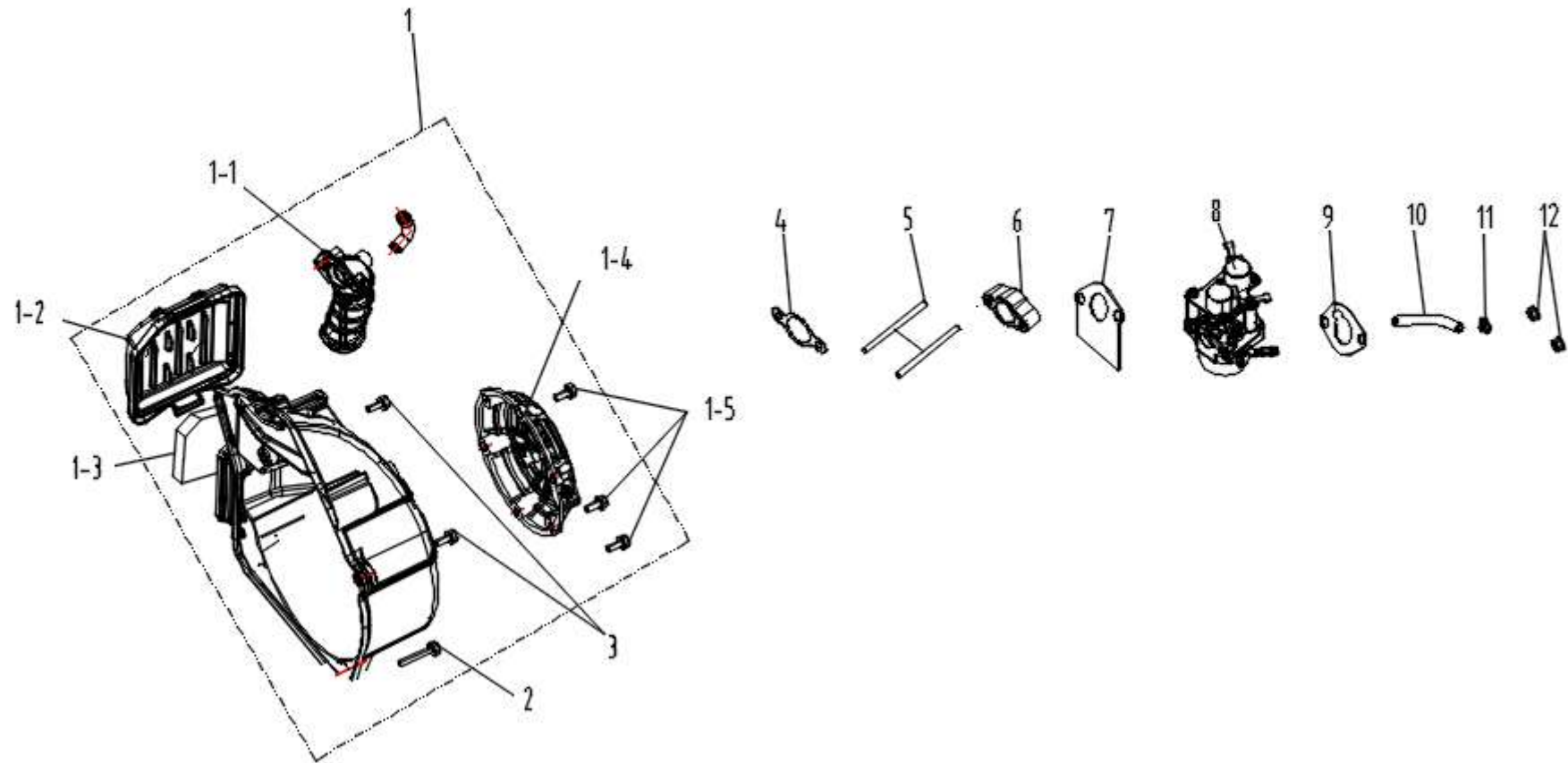
7-3. Valve structure



NO.	Part NO.	Description		QTY	
		English	Price (USD)	QTY	Demand Qty
1	20012-00028-01	Camshaft assembly		1	
2	34008-00001-00	Valve tappet		2	
3	34020-00045-00	Valve push rod		2	
4	34013-00037-00	Exhaust valve		1	
5	34013-00035-00	Intake valve		1	
6	34018-00005-00	Oil shield		1	
7	34015-00141-01	Valve spring		2	
8	20023-00084-00	Cylinder head assembly		1	
9	34016-00140-00	Valve lock clip		2	
10	34016-00139-00	Valve spring seat		2	

11	34019-00046-00	Valve rocker arm assembly		2	
12	30134-00028-00	Rocker shaft		2	
13	30101-00042-00	Hexagon flange bolts		4	
14	33048-00493-00	Cylinder head gasket		1	
15	20021-00062-00	Cylinder head assembly		1	
16	30101-00042-00	Hexagon flange bolts		4	
17	34024-00056-00	Clamp		1	
18	34023-00350-01	Exhaust pipe		1	

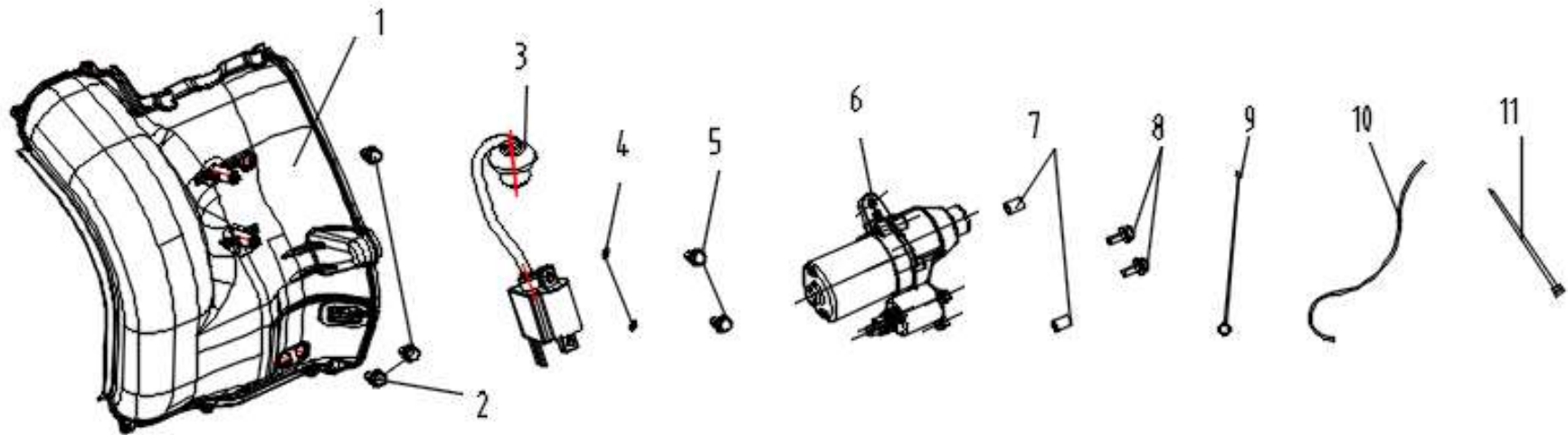
7-4. Air filter carburetor combinatgion



NO.	Part NO.	Description		QTY	
		English	Price (USD)	QTY	Demand Qty
1	20010-00450-01	Recoil starter assembly		1	
1-1	34028-00062-00	Intake pipe		1	
1-2	70002-06622-00	Air filter cover		1	
1-3	70010-02321-00	Foam filter		1	
1-4	20034-00008-00	Start the pull		1	
1-5	30101-00400-00	Hexagon flange bolts		3	
2	30101-00349-00	Hexagon flange bolts		1	
3	30101-00408-00	Hexagon flange bolts		2	
4	33048-00494-00	Air inlet gasket		1	

5	30110-00188-00	Inlet stud bolt		2	
6	34012-00050-00	Carburetor connecting block		1	
7	33048-00440-00	Carburetor gasket		1	
8	20024-00623-00	Carburetor assembly		1	
9	33048-00441-00	Air filter gasket		1	
10	34023-00475-00	YouTube		1	
11	34024-00024-00	Clamp		1	
12	30125-00002-00	Nuts		2	

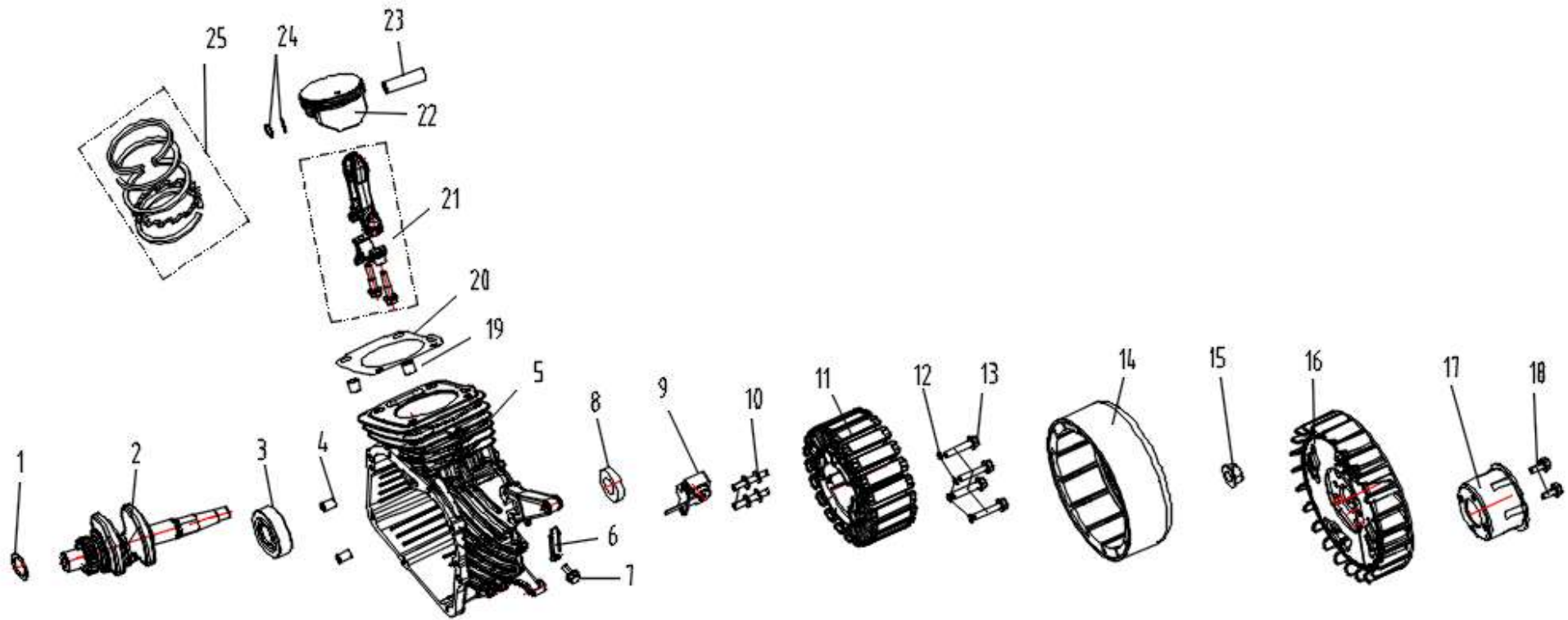
7-5. Igniter



NO.	Part NO.	Description		QTY	
		English	Price (USD)	QTY	Demand Qty
1	34021-00249-02	Cylinder head air guide		1	
2	30101-00400-00	Hexagon flange bolts		3	
3	31013-00176-02	High voltage package		1	

4	30139-00005-00	Spring washers		2	
5	30111-00085-00	Cross recessed pan head screws		2	
6	20149-00206-00	Starting motor parts		1	
7	34006-00079-00	Positioning pin		2	
8	30101-00414-00	Hexagon flange bolts		2	
9	31018-00029-00	sensor		1	
10	20196-05479-00	Wiring harness components		1	
11	60008-00023-00	Nylon cable ties		2	

7-6. Housing motor group



NO.	Part NO.	Description	QTY		
		English	Price (USD)	QTY	Demand Qty
1	30136-00228-00	Flat washers		1	
2	20011-00375-00	Crankshaft assembly		1	
3	70002-02831-00	Bearings		1	
4	34006-00001-00	Positioning pin		2	
5	34011-00163-01	Crankcase		1	
6	33593-00228-00	Pressure plate		1	
7	30101-00400-00	Hexagon flange bolts		1	
8	34007-00168-00	Oil seal		1	
9	20028-00147-00	trigger		1	
10	30110-00207-00	Double-ended stud		2	

11	20005-00460-00	Frequency conversion motor stator		1	
12	30139-00007-00	Standard spring washers		4	
13	30101-00420-00	Hexagon flange bolts		4	
14	20006-00246-00	Frequency conversion motor rotor		1	
15	30125-00066-00	Hexagonal Flange Nut		1	
16	33155-00159-00	fan		1	
17	34022-00026-00	Starter Cup		1	
18	30101-00830-00	Hexagon flange bolts		2	
19	34006-00006-00	Positioning pin		2	
20	33048-00492-00	Cylinder head gasket		1	
21	20008-00080-00	Connecting rod assembly		1	
22	34004-00107-00	piston		1	
23	34006-00136-00	Piston pin		1	
24	30150-00020-00	Piston pin retaining ring		2	
25	20084-00138-00	Piston ring assembly		1	